

St. John Evangelical Lutheran Church



July 2014

REV. KEVIN K. ADER

715-544-0325

office@stjohnkellner.org

pastor@stjohnkellner.org

www.stjohnkellner.org

Mission Statement: We are called by God to be the light of the world. We are to go forth and show Jesus' love and forgiveness through loving care for all God's creation.

Ladies Aid Picnic

The Ladies Aid will be having their picnic on Thursday, July 3 at noon in the church basement. Please bring a dish to pass and a small bingo prize. All ladies of the congregation are invited.

VBS Thank You

Thank you to all those that participated in this years Vacation Bible School. We had a great time, played some cool games, ate some interesting food projects and made some crafts that will be around for years to come. A special thank you for the helpers that made this such a special week!

Save the date-- Weekday School registration will be Wednesday Sept 3.

Reflection Brunch

On Sunday, July 13 we will celebrate our Reflection Sunday at the 9:30 AM service. We will be honoring all of our members age 80 and over. Following the service there will be a brunch hosted by the Ladies Evening Guild. Everyone is invited!

If anyone has turned 80 and is not on the following list please notify the church office.

Jeanine Arneson, Mabel Behn, Joanne Behrend, Lee & Flora Bottensek, Harriet Brandt, Jan Bremmer, David & Dorothy Cook, Doreen Cook, Grace Gilman, Robert Hanneman, Eva Helke, Laura Neinfeldt, Diann Peotter, Lester Rabska, Gladys Sawaska, Helen Schoenick, Howard Schuldt, Willis & Karon



Sharpe, John Tomesek, Pearl Zeman, Dorothy Zimmerman.

See you on Sunday, July 13 at 9:30 AM !

Junk In The Trunk Thank You

On May 31 we held our first "Junk in the Trunk" event. We were pleased and amazed by all the support we received!

Thank you to all who purchased "parking spots", helped purchase, prepare and serve food and for those who attended.

It was so successful that many have reserved spots for next year.

A special thank you to Got to Go Rentals for their efficient services. Many commented that it was a welcomed convenience.

We plan to do this event again next year and will be able to improve in many areas.

Due to everyone's generosity we raised \$534.00 which will be split between Board of Evangelism and Board of Stewardship. This money will be used for projects or events for our church 150th anniversary celebration.

Once again, a big thank you to all who helped make this event a success.

Sue Helmuth—Board of Stewardship

Portals of Prayer Covers

A supply of handmade Portals of Prayer covers were recently donated for our use. Donna Mueller has made this her personal mission and donates these to several churches in the area. She will start making more and will include covers for the larger Portals of Prayer. There is no charge for the covers. Donna occasionally comes to church here and does attend some of the A-men functions. She is using her talents to serve the Lord and we are grateful for her gift to us! – submitted by Sue Helmuth, Board of Stewardship



Thank You

Thank you to our generous congregation of St John for the giving response to a call of a need for a donation of help, hot dishes, salads, desserts etc. to a funeral. The families are so very grateful for your caring. Also thank you to Nancy Reese and Jean Zeman (co-chairpersons of group 4) of the funeral groups for their organization, set-up, and serving of the food. Also to the volunteers that helped. The many hands make a BIG job a shared task. The family of Larry Robinson expressed much appreciation!

SWEPS Collection

There is still a need for non-perishable food items for the South Wood County Emergency Pantry Shelf. Donations can be brought in at any time as our collection will take place all year long. Please place your items in the basket in the narthex. Thank you-The Human Care Board

You Are Invited

St. John's Lutheran Church of Almond will be hosting Deacon John Weber of Victory Lutheran Church on Sunday evening, July 13th, at 7 pm. Victory Lutheran Church is a neighborhood church in the heart of the K.I. Sawyer community in Gwinn, Michigan. The church faces many challenges in a community that is struggling. Deacon Weber will discuss the community's needs and how congregations in our District may assist. A free-will offering will be collected following the presentation. St. John's will host an ice-cream social that evening. Please join us for a wonderful summer evening of Christian fellowship!

Bethesda Thrift Shop

Special sales in July include 50% off yellow-tagged clothing and shoes; 25% off almost everything for Seniors and Veterans every Wednesday; and Wacky Day sales on July 17-19 including \$1.00 for all clothing items, 10 paperbacks for \$1.00 and many more in-store crazy sales. Don't miss it – bring a friend. We also have a nice variety of new furniture, mattresses, and socks. Shop locally – shop Bethesda... and we thank you for supporting us. (We could use some new volunteers – check us out at the store.) We will be closed July 4.

Lutheran Hour Broadcast

If you would like to sponsor the Lutheran Hour on WFHR 1320 AM at 9:00 AM please call the radio station at 715-424-1300 and ask for Bob or Chuck. Previously we had announced that WFHR would no longer be broadcasting the Lutheran Hour. As we become informed about the situation we will include updates.

The Lutheran Hour will be on the following radio stations on Sunday: WAXX 104.5 FM at 6:30 a.m.; WDLB 1450 AM at 8 a.m.; WDUX 92.7 FM at 8 a.m.; WSAU 99.9 FM at 8:30 a.m.; and WRVM 91.3 FM, 94.3 FM or 101.3 FM at 10 a.m.

July 6—"Real Rest for the Weary"

Lutheran Hour Speaker: Rev. Gregory Seltz
Real rest is a gift from a gracious God Who draws us to Himself and fills the emptiness in our souls. (Matthew 11:25-30)

July 13—"Truth Has a Voice"

Lutheran Hour Speaker: Rev. Gregory Seltz
There are many destructive voices that call to us. Jesus has another word, a clear voice of life and salvation. (Romans 8:12-17)

July 20—"Hope Worth Waiting For"

Lutheran Hour Speaker: Rev. Gregory Seltz
In Christ, we wait in hope and confidence that our struggles have purpose for our life now and in the world to come. (Romans 8:18-27)

July 27—"Nothing"

Speaker Emeritus of The Lutheran Hour: Rev. Ken Klaus
Nothing in all of creation can separate you from the love of God which is yours in Jesus Christ. (Romans 8:38-39)

Scrip Scrap Corner

There's nothing better than a frozen treat on a hot summer day! From ice cream, to smoothies, shakes and frappes, you can earn money for St. John while cooling off all summer long! Coldstone, Culver's, Dunkin' Donuts, Dairy Queen, El Mezcal, McDonalds, Starbucks, Wendy's and more.

Our profit total for June was \$ 228.04

Thanks for buying Scrip!



Neighborhood Table
Thursday, August 7, 2014

St. John Lutheran congregation
will be serving our guests on
Thursday, August 7th
at St. John Episcopal Church
(across from the Post Office)

The Menu:
Spaghetti Dinner
Noodles with Meat Sauce
Garlic Bread
Tossed Salad
Dessert
Selection of Beverages

Approximately 350 meals will be prepared and served

Your **physical help** is needed
to prepare the meal, serve the meal, and clean-up duties.
Sign-up sheets are on the table in the Narthex

Your **culinary help** is needed
to bake dessert bars and cookies
Sign-up sheets are on the table in the Narthex

Your **financial help** is needed
to help defray the food cost expenses.
Donation envelopes are on the table in the Narthex.

Thanking you in advance for your willingness to help
those less fortunate than ourselves

**Church-wide
BAKE SALE
at
St. John Lutheran Church, Kellner
during the
TOWN of GRANT
150th year Celebration
Saturday, August 9th
8 a.m. to 10 a.m.**

Members of the congregation are asked to create baked goods for the sale.

Pies—Cakes—Cookies—Bars—Candy—Breads (plain or fancy)!

Goodies of all kinds are good sellers!

St. John Cooks and Bakers are known for their top-quality “Sweet Treats”

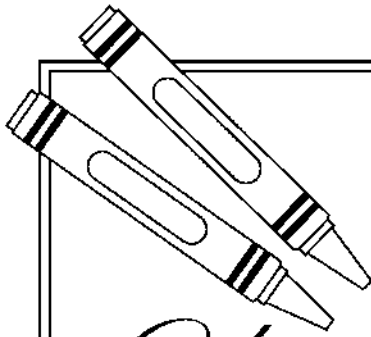
Join in the Town of Grant celebration!

Please have baked goods to the church on Friday August 8th

Place your “goodies” on the tables in the Annex by the Refrigerators

Thank You!

All monies earned from this BAKE SALE will be used for the
St. John Lutheran Church 150th Anniversary Celebration
October 10 & 11, 2015



Just for **KIDS**

Upon your hearts

The Bible is the perfect guidebook for living God-pleasing lives. Deuteronomy 6:6-8 (NIV) tells us how to remember the Scriptures.

Use the picture clues and Word Bank below to finish the verses.

WORD BANK

children	road
commandments	sit
down	Talk
foreheads	Tie
hands	up
hearts	walk
home	



1



2



3



4



5



6



7



8



9



10



11



12



13



“These (1) _____ that I give you today
 are to be upon your (2) _____. Impress them on your
 (3) _____. (4) _____ about them when you
 (5) _____ at (6) _____ and when you (7) _____
 along the (8) _____, when you lie (9) _____ and when
 you get (10) _____. (11) _____ them as symbols on
 your (12) _____ and bind them on your
 (13) _____.”

Answers:
 (1) commandments; (2) hearts; (3) children; (4) Talk; (5) sit; (6) home; (7) walk;
 (8) road; (9) down; (10) up; (11) Tie; (12) hands; (13) foreheads

Keeping Our Eyes on the Prize



If a runner in a race takes his eyes off his goal for even a fleeting moment, he risks losing his focus and, along with that, the race. So it is with the Christian who must be diligent to keep his focus on his stewardship. If he takes his eyes off his Heavenly goal and directs them toward his possessions, his worldly aspirations, or his temporal difficulties, he loses his focus and risks losing the race. The words of Paul provide encouragement for us: *“Forgetting what is behind and straining toward to what lies ahead, I press on toward the goal for the prize of the upward call of God in Christ Jesus”* (Philippians 3:13). Focusing on our earthly circumstances can lead us in two directions – both of them deadly! We may either find things of the world to be so attractive, they become the prize toward which we strain, or we find things to be so dismal that we despair.

Among our acquaintances, we may know people who continually do little other than think and dream about living in larger homes and driving luxury cars. Striving for worldly success may result in 50-70 hours at work each week. Their interest in material things can take their focus off Jesus. In a different way, but causing the same result, the less fortunate may blame their circumstances on the Lord, causing them to turn their backs on Jesus.

Our Chief Steward, Jesus, our Savior, focused on the prize. We are exhorted to follow His example: *“Let us fix our eyes on Jesus, the author and perfecter of our faith, Who for the joy set before Him endured the cross, scorning its shame, and sat down at the right hand of the throne of God”* (Hebrews 12:2 NIV). Talk about keeping focus! *“Consider Him Who endured from sinners such hostility against Himself, so that you may not grow weary or fainthearted”* (Hebrews 12:3). Talk about running a race! And He did it for us, *“so that [we] will not grow weary or fainthearted.”*

And look at the prize He won! He ascended into Heaven and now sits *“at the right hand of the throne of God.”* Heaven is our prize, too – a prize beyond compare. Christ’s promise is this: *“Be faithful unto death, and I will give you the crown of life”* (Revelation 2:10b). Should we falter, as we are certain to do, we claim another of His promises: *“He Who calls you is faithful; He will surely do it”* (1 Thessalonians 5:24).